



**Operators Manual
Mauser Model 66 S/SM**

**Mode d'emploi
Mauser Modèle 66 S/SM**



Basic Safety Rules

Never take aim at a person, even when your weapon is not loaded. Make it a habit to carry your weapon in a manner that will not endanger people, animals and property.

Make sure that a bullet trap is available during practice shooting to prevent danger from stray bullets.

Remember that a bullet may fly as far as 5000 m and ricochets may occur after it impacts on water and hard objects at unfavourable angles.

Handling and Maintenance

Before shooting, make certain that the barrel bore is free from oil, dirt and foreign matter.

The most suitable method is to clean the bore from the breech end using a plastic-coated cleaning rod and cotton or felt. For this purpose, you have to remove the bolt.

Be sure to never use force.

Surplus oil on the receiver and bolt should be removed with a clean, soft cloth.

There are two versions of the Mod. 66:

a) Mod. 66 S – standard and magnum action

b) Mod. 66 SM – standard and magnum action

They differ from each other in the trigger system and stock configuration.

66 S with single stage trigger, double set trigger or two stage hair trigger. The Mod 66 S Big Game version comes equipped with a single-stage, adjustable trigger. Optional double-set triggers available by special order at additional costs.

66 SM comes equipped with a special Mauser set trigger system, which is activated by a push button, easy to reach located on the top of the pistol grip behind the receiver. This means added safety while hunting because it is not necessary to touch the trigger until you are ready to fire.

When the activator button for the set-trigger is pushed forward with the thumb, it sets the trigger. When released by the thumb it is pushed back to its initial position by a spring.

Caution: After the trigger is set, it is ready for firing at the lightest touch.

If the trigger is not set it will work like a conventional trigger (single stage trigger).

In order the set trigger without firing, the safety lever is moved to the safe position, the set trigger is discharged, the safety is then moved back to the fire position and the bolt can now be opened.

Technical Data Model 66 S/SM

General Facts:

The Models 66 S and 66 SM have a rear sight which is adjustable for windage and elevation and displaceable on the dovetail rail of the barrel. All models offer an exquisite walnut stock, oiled and polished, a rubber recoil pad, (Mod. 66 S with rosewood tips on forearm and pistol grip cap), equipped with our patented short action and our silent operating safety. A specially designed grooved bolt handle allows rapid follow-up shots.

The magazine capacity for all models is 3 cartridges plus 1 shot in the barrel. All barrels are made of high quality alloy steel.

Model 66 is available in the following calibers:

Standard:

Cal. 5,6 x 57; .243Win.; 6,5 x 57; .270Win.; 7 x 64; .30-06; .308Win.; 9,3 x 62; Barrel length 600 mm.

High Performance:

Cal. 6,5 x 68; 7 mm Rem. Mag.; 8 x 68 S; .300Win.Mag.; 9,3 x 64; Barrel length 650 mm.

Full stock version:

Cal. .243Win; .270Win.; 7 x 64; .30-06; 9,3 x 62
Barrel length 530 mm.

Big Game:

Cal. .375 H&H Mag.; .458Win.Mag.
Barrel length 650 mm.

Instructions for use:

Mauser repeating rifles model 66 S/SM have a unique telescopic, short-stroke action which allows an overall length approximately 9 cm shorter than competitive rifles that have the same barrel length.

The loading procedure works in 2 steps due to the telescopic slide.

Step One:

Open the chamber by turning the bolt handle upward and then pull to the rear. The telescopic slide remains in its forward position until the bolt handle engages the front of the slide bridge.

Step Two:

During further movement of the bolt to the rear, the telescopic slide is taken back being guided by two rails. Thus the alignment between the chamber, bolt and guide rail is maintained. The telescopic slide is stopped in the rearward movement by the bolt catch which is located to the right rear end of the guide rails. Now the bolt face is in a position to pick up the first cartridge from the magazine. As the bolt moves forward the

activities are reversed. At first the telescopic slide remains stationary, and only the bolt moves forward about halfway and inserts the cartridge into the chamber.

As the bolt is moved further forward, the bolt sleeve engages the rear part of the telescopic slide, and the latter is pushed forward. By turning the bolt handle to the right and down 90 degrees, the bolt locking lugs are engaged into the barrel bridge. The rifle is now ready to fire. To apply the safety, the lever on the right hand side of the bolt sleeve must be moved backward, so that the striker sleeve will be disengaged from the sear, and simultaneously the bolt action will be blocked. An additional safety operated by the plunger located at the top of the safety lever prevents accidental disengagement of the safety. By purposely depressing the safety plunger and pushing the safety lever forward, a red dot will appear: the rifle is ready to fire.

Loading

Loading the rifle is done by opening the bolt action until the magazine opening is cleared. The magazine is charged by loading each cartridge (total of 3) one by one, staggered, on top of each other by means of depressing the magazine follower with each cartridge as it is loaded. (Figure 1)

By closing the bolt, the top cartridge is caught by the bolt face and inserted into the chamber. By turning the bolt handle to the right and fully downward, the chamber is locked and the rifle is loaded, cocked, and ready to fire.



Reloading

After firing, by repeating the rearward movement of the bolt handle, the empty case is extracted and ejected. Then, by repeating the forward movement of the bolt handle, the next cartridge will be inserted into the chamber.

How to set and reset the trigger

Mod. 66 S

To set the double set trigger for “firing” with only a light touch, pull the rear trigger with the index finger – rifle is now set to fire with the lightest touch on the front trigger.

To de-activate the set trigger “without firing”, pull safety lever rearward = safety is in ON position. With the middle finger of your right in the rear trigger and the index finger on the front trigger, pull both triggers and release them slowly.

Note: It is not necessary to set the double set trigger in order to fire the rifle. The rifle may be fired at any time with only the pull of the front trigger.

Mod. 66 SM

To set the trigger for “firing” with a light touch on this model, push activator button on top of the pistol grip forward with your right thumb. Release slowly – activator will return to initial position. You are now ready to fire with only a light touch to the trigger.

To de-activate the set trigger “without firing” pull the safety lever rearward = safety is in ON position. Push the activator button forward with the thumb of your right hand and hold it in this position. Pull the trigger with the index finger of the right hand. Release both slowly – activator and trigger will return to initial position.

Safety:

In order to engage, the thumb operated safety is pushed backwards all the way, accomplishing the following:

- a) Firing pin is blocked positively
- b) Bolt is locked
- c) Fail-safe button is engaged

The fail-safe button prevents the safety from accidentally disengaging. Unloading is only possible while safety is disengaged.

In order to disengage the safety, push the fail-safe button down and move safety all the way to the forward position. When the safety catch is off, two red dots will appear.

Disassembling and Assembling of the Bolt:

To take the action apart the bolt and the telescopic slide have to be removed from the rifle by depressing the bolt stop. (Figure 2)

To screw the bolt sleeve off the bolt the sleeve is turned counter-clockwise until the striker sleeve will engage into the notch of the bolt sleeve stop. (Figure 3)

Now the striker sleeve is pushed upward about 2 mm, and at the same time the safety lever is engaged.

Further turning of the bolt sleeve assembly clears the latter from the housing. (Figure 5)

To take the striker apart push the firing pin on a hard surface until the striker sleeve can be turned by 90°.

Then the bolt sleeve can be cleared from the striker.

To reassemble the above operations should be reversed. (Figure 6)

Be cautious – the cocked spring can be dangerous and cause injury if not properly handled.

Note: It is not necessary to use the activator button and set the trigger for a light touch in order to fire the rifle.

The rifle may be fired at any time with only the pull of the trigger.



2



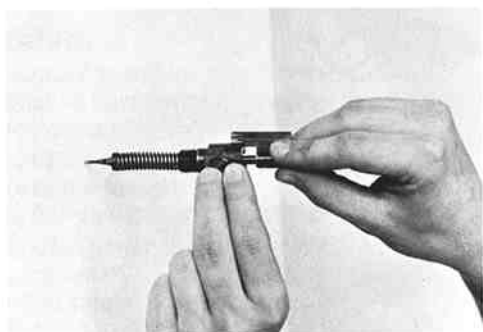
3



4



5



6

Maintenance

For cleaning and servicing of your rifle, we recommend the following procedure:

1. First, make sure that the weapon is unloaded and the magazine is empty.
2. Open the bolt and remove it while depressing the bolt stop.
3. It is recommended to clean the bore using a cleaning rod with cotton or felt inserted into the barrel from the breech end.
4. After cleaning, slightly oil the bore
5. If you have fired the rifle, we recommend that you repeat the bore cleaning operation one or two days later, as described above.
6. It will be sufficient to slightly oil all other parts from time to time, using an oil-saturated cloth.
7. It goes without saying that the rifle should be cleaned and oiled if it was used under poor weather conditions.

Barrel changing

To change a barrel unscrew the two Allen screws in front of the trigger-guard by means of an Allen-wrench. By opening the action the barrel assembly can be taken out of the stock. The new barrel (of the same caliber-group) is assembled vice versa. (Figure 7 and 8)



7



8

The advantage of the interchangeability of barrels is obvious, because, no matter what caliber is being used, the balance and feeling of the rifle are always the same.

However, interchangeability is only possible within these caliber groups:

1st group

Bolt Face diameter 12,2 mm

Calibers: 5,6x57; 243Win.; 6,5x57; 7x64; .308Win.;
.30-06; .270Win.; 9,3x62

2 nd group

Bolt Face diameter 12,65 mm

Caliber: 9,3x64

3rd group

Bolt Face diameter 13,1 mm

Calibers: 6,5x68; 8x68 S

4th group

Bolt Face diameter 13,58 mm

Calibers: 7 mm Rem. Mag.; .300Win.Mag.;

.300Weath.Mag.; .375 H&H Mag.; .458Win.Mag.

Within group 1. all barrels are interchangeable.

The exchange from group 1 to group 2 and 3 is possible, provided that the bolt with the larger bolt face diameter and extractor is used.

If you change from group 1 to group 4, you need a second bolt with suitable extractor.

Cal. .243Win and .308Win cannot be used in Magnum and Big Game rifles, as the cartridge is too short for the magazine to guarantee proper feeding.

If you intend to change barrels, please take into consideration, that the outside diameter of cal. .375 H&H Mag. and .458Win.Mag. is 32 mm.

Test Firing

The model 66 is shot at a distance of 110 yards with 3 shots. The original target indicating the ammunition used is supplied with each rifle. We recommend testing the rifle after the barrel has been changed.

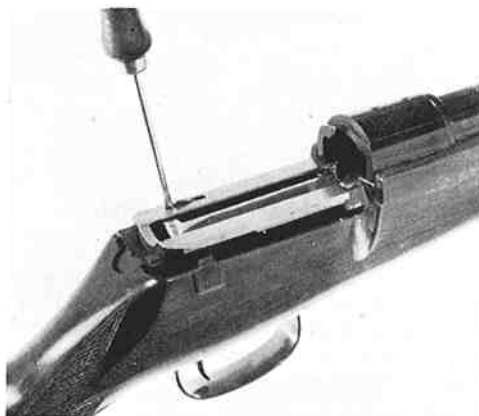
Exchange of the trigger system

Trigger types may be changed from single stage to double-set and vice versa; however, this operation should only be done at the Mauser factory or by a competent gunsmith. Call for prices and information.

Adjusting of the trigger-pull (for single stage trigger)

Take out the bolt system. On the left side of the guiding rail there is a slot for turning the adjusting screw fitted to the sear. By turning this screw to the right the trigger weight is increased to 2,6 kilopounds. Turning the screw to the left will relieve the trigger spring to a minimum of approx. 1,2 kilopounds.

From the factory the trigger pull is adjusted to approx. 1,8 kilopounds. (Figure 14 and 15)



14



15

Adjusting the way of travel

The triggers are adjusted at the factory with all factors optimally balanced.

For safety reasons, all modifications of the trigger should be done by a competent gunsmith.

Suggestions for telescopic mounts

1. Pivot Mount (Figure 16)

2. Suhler Claw Hawk Mount (Figure 17)



16



17

Technical Details

Barrel: Corrosion-resisting hammer forged chromium molybdenum steel, barrel-band front sling swivel (except on Safari models)

length:	53 cm
standard cal.:	60 cm
magnum cal.:	65 cm

Stock: 66 S:
Choice walnut, oiled and waxed, rosewood trimmings on fore-end and pistol grip cap, rubber recoil pad, fine checkering on fore-end and pistol-grip, hog back comb and Bavarian cheekpiece.
Big Game cal.:
Monte Carlo comb, German cheekpiece
66 SM:
Choice walnut, oiled and waxed, rubber recoil pad, Monte Carlo comb, Bavarian cheekpiece, specially shaped pistol grip, Mauser "Schnabel" fore-end tip, fore-end and pistol grip checkering.
Full Stock:
With hog back comb, Bavarian cheekpiece

Action: Mauser telescopic short-stroke action, two locking-lugs at the front of the bolt, allows an overall length approximately 9 cm shorter than competitive rifles that have the same barrel length.

Trigger: 66 S:
Single-stage, crisp trigger or double set trigger-standard. Two-stage hair trigger as an option.
66 SM:
Mauser double set trigger combined with two-stage hair trigger, single/set trigger on tang.

Safety: Silent safety blocking the firing pin with additional lock to eliminate accidental bolt opening.

Magazine: internal, capacity 3 shots

Sights: Special open rear sight, adjustable for elevation and windage. Rectangular front blade and front sight hood.

Weight: Standard + Full Stock: approx. 3,4 kg
Magnum cal.: approx. 3,6 kg
Big Game: approx. 4,2 kg

Length: 66 S:
Full Stock: approx. 99 cm
Standard: approx. 106 cm
Magnum cal. + Big Game: approx. 112 cm
66 SM:
Full Stock: approx. 100 cm
Standard: approx. 108 cm
Magnum cal. + Big Game: approx. 113 cm

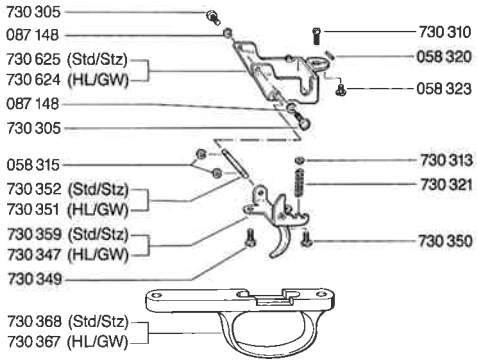
005 999 Ball for lever-push-safety assembly
 020 131 Allen wrench
 038 427 washer-serrate magazine retaining
 058 096 screw-filler
 058 305 pin-ejector retaining
 058 306 screw-arm actuating retaining
 058 307 screw-spring actuating retaining
 058 308 screw-travel adjustment
 058 312 pin-pivot-trigger release
 058 315 retaining washer
 058 320 pin-retaining-pull adjustment
 058 323 screw-assembly retaining
 058 371 screw-filler
 058 926 screw for cover
 087 148 washer-lock
 141 988 screw-magazine retaining
 730 002 cocking lever, SM, mag.
 730 003 cocking lever, SM, std.
 730 006 trigger, SM
 730 009 assembly-trigger guard, SM, mag.
 730 010 assembly-trigger guard, SM, std.
 730 012 cover, SM
 730 014 assembly-trigger actuating, SM, std.
 730 015 assembly-trigger actuating, SM, mag.
 730 016 receiver, SM, std.
 730 017 receiver, SM, mag.
 730 028 magazine, SM, mag.
 730 043 cocking lever axle, SM
 730 059 cocking lever spring, SM
 730 064 stock 66 SM, std.
 730 065 stock 66 SM, mag.
 730 066 stock 66 SM, full stock
 730 081 sling swivel, std., mag., front
 730 220 screw-front barrel retaining, std.
 730 221 screw-rear barrel retaining, std./full stock
 730 222 screw-trigger guard retaining, std./full stock
 730 223 screw-front barrel retaining,
 full stock/mag./big game
 730 224 screw-rear barrel retaining, mag./big game
 730 225 screw-trigger guard retaining, mag./big game
 730 226 plastic screw cover
 730 228 bushing
 730 230 rubber recoil pad, mag./big game
 730 232 rubber recoil pad, std./full stock
 730 244 cylindrical pin
 730 248 stock 66 S, std.
 730 252 stock 66 S, mag.
 730 253 stock 66 S, big game
 730 258 spacer-butt, big game
 730 259 bushing
 730 261 bushing-middle spacer, std./full stock
 730 262 bushing-front spacer, mag./big game

- 730 263 bushing-middle spacer, mag./big game
- 730 264 bushing-rear spacer, mag./big game
- 730 265 bushing-rear spacer, std./full stock
- 730 266 bushing-front spacer, std./full stock
- 730 273 bushing
- 730 275 sling swivel, compl., rear,
std./full stock/magnum
- 730 276 sling swivel, compl., front, full stock and
former version std./mag./big game
- 730 277 screw-front barrel retaining, SM, std.
- 730 282 swivel screw
- 730 284 sling swivel, compl., rear, big game
- 730 285 sling swivel, compl., front, big game
- 730 291 receiver, mag./big game
- 730 292 receiver, std./full stock/ultra
- 730 296 bolt release catch
- 730 298 sear assembly
- 730 300 stock 66 S, full stock
- 730 301 screw-trigger guard retaining
- 730 302 screw-set trigger pivot
- 730 305 screw-2 each
- 730 306 screw-bolt release,
sear left and right retaining
- 730 307 screw for sear assembly
- 730 308 screw-trigger assembly
- 730 310 screw-trigger-pull adjustment
- 730 312 spring cap
- 730 313 cap-spring trigger adjustment
- 730 316 spring-Z magazine, std./full stock
- 730 319 spring coil
- 730 321 spring-recoil trigger return
- 730 322 spring-Z magazine, mag./big game
- 730 323 spring striker, mag./big game
- 730 324 spring striker, std./full stock
- 730 325 spring-coil trigger pull
- 730 329 follower, std./full stock
- 730 330 follower, mag./big game
- 730 334 magazine, mag./big game
- 730 335 magazine, std./full stock
- 730 347 trigger-single stage, mag./big game
- 730 349 screw-travel adjustment
- 730 350 screw-retaining trigger
- 730 351 pin-pivot trigger actuating mag./big game
- 730 352 pin-pivot trigger actuating std./full stock
- 730 354 assembly-trigger release double trigger,
std./full stock
- 730 356 assembly-trigger release double trigger,
mag./big game
- 730 359 trigger-single stage, std./full stock
- 730 366 assembly-trigger guard, double trigger,
std./full stock

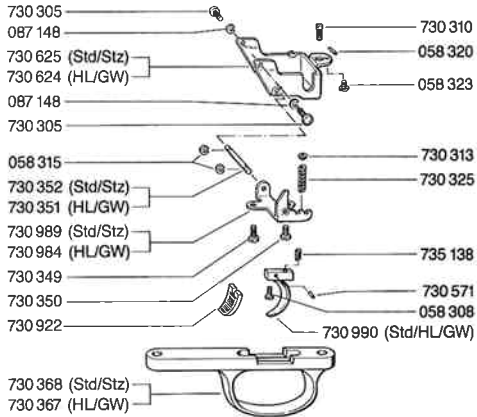
- 730 367 assembly-trigger guard, single trigger, mag./big game
- 730 368 assembly trigger guard, single trigger, std./full stock
- 730 369 assembly trigger guard, double trigger, mag./big game
- 730 372 trigger set
- 730 374 trigger release, std./mag./big game
- 730 376 arm-actuating trigger
- 730 378 spring-flat pressure
- 730 563 front sight cover, former version big game
- 730 564 front sight cover
- 730 566 insert for front sight base
- 730 571 cylindrical pin
- 730 572 screw for front sight base
- 730 573 swivel ring, full stock
- 730 575 sight compl.
- 730 576 front sight base
- 730 591 front sight blade 5,5 mm
- 730 592 front sight blade 6,0 mm
- 730 593 front sight blade 7,0 mm
- 730 595 front sight blade 8,0 mm
- 730 596 front sight blade 8,5 mm assembly-trigger actuating, double trigger std.
- 730 624 assembly-trigger actuating, mag.
- 730 625 assembly-trigger actuating, single trigger, std.
- 730 749 bolt compl.** , 13,1
- 730 750 bolt compl.** , 12,65
- 730 751 bolt compl.** , 13,58
- 730 752 bolt compl.** , 12,2
- 730 768 bolt* , 13,58
- 730 769 bolt* , 13,10
- 730 771 bolt* , 12,65
- 730 773 bolt* , 12,2
- 730 827 slide, std.
- 730 828 slide, mag./big game
- 730 829 slide, std., for engraving
- 730 830 slide, mag./ big game for engraving
- 730 831 striker, std./full stock
- 730 832 striker, mag./big game
- 730 835 arm cocking-retainer ring
- 730 839 bushing
- 730 840 block-safety
- 730 845 conversion kit: new safety, std.
- 730 848 lever-push-safety
- 730 850 safety catch
- 730 859 screw for safety catch
- 730 865 extractor, mag.
- 730 866 extractor, mag./big game
- 730 891 conversion: single into double trigger, std./full stock

- 730 892 conversion: double into single trigger
std./full stock
- 730 893 conversion: singel into double trigger,
mag./big game
- 730 894 conversion: double into single trigger,
mag./big game
- 730 895 conversion kit: new safety, mag./big game
- 730 910 two stage hair trigger, mag./big game
- 730 921 two stage hair trigger, std./full stock
- 730 922 trigger shoe
- 730 984 trigger upper part, mag./big game
- 730 989 trigger upper part, std.
- 731 080 screw-set trigger pivot
- 731 118 screw-trigger-pull adjustment
double trigger, 66 SM
- 731 143 screw-set trigger pivot
- 731 757 front sight base, snap-shooting
- 731 759 base for luminous sight
- 731 763 bracket, snap-shooting
- 731 765 front sight cover, snap-shooting
- 731 803 luminous sight
- 735 122 extractor Ø 12,2
- 735 123 extractor spring
- 735 124 ejector
- 735 125 ejector spring
- 735 134 spring for lever-push-safety assembly
- 735 135 spring for safety catch
- 735 137 safety block lock
- 735 138 screw for safety catch

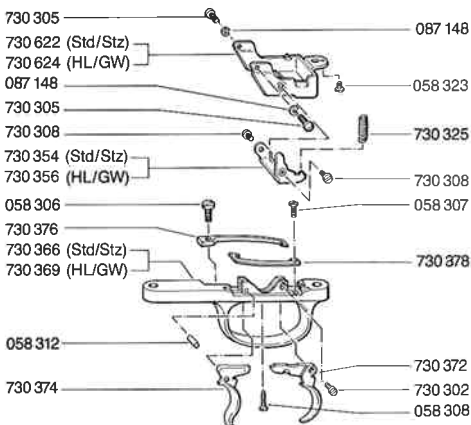
Modell 66 S – Single trigger
 Modell 66 S – Simple détente
 730 892 (Std/Stz)
 730 894 (HL/GW)



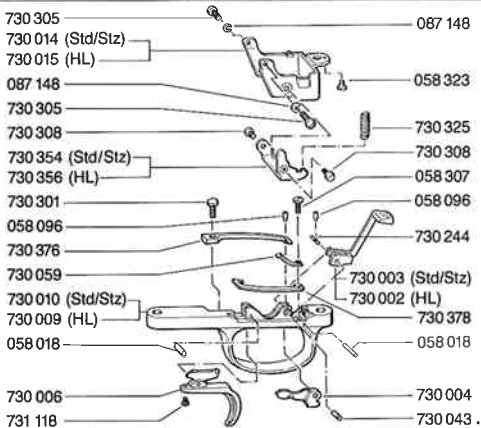
Modell 66 S – Two stage hair trigger
 Modell 66 S – Détoné à bossette match
 730 921 (Std/Stz)
 730 910 (HL/GW)



Modell 66 S - Double set trigger, compl.
 Modell 66 S - Double détente, compl.
 730 891 (Std/Stz)
 730 893 (HL/GW)



Modell 66 SM - Double set trigger
 Modell 66 SM - Double détente
 (Std/HL)



005 999	boule pour l'axe de sûreté
020 131	clé de démontage
038 427	disque denté
058 096	pivot fileté
058 305	douille de tension
058 306	vis à tête fraisée
058 307	vis à tête fraisée
058 308	vis à tête fraisée (vis d'arrêt)
058 312	pivot d'ajustage
058 315	bague de frein
058 320	pivot cylindrique à rainure
058 323	vis à tête fraisée
058 371	pivot fileté
058 926	vis pour capot
087 148	rondelle
141 988	vis cylindrique
730 002	levier d'armement, SM, mag.
730 003	levier d'armement, SM, std.
730 006	détente, SM
730 009	étrier de détente, SM, mag.
730 010	étrier de détente, SM, std.
730 012	capot, SM
730 014	chevalet à coussinet, SM, std.
730 015	chevalet à coussinet, SM, mag.
730 016	rail de guidage, SM, std.
730 017	rail de guidage, SM, mag.
730 028	chargeur, SM, mag.
730 043	axe pour levier d'armement, SM
730 059	ressort à levier d'armement, SM
730 064	crosse 66 SM, std.
730 065	crosse 66 SM, mag.
730 066	crosse 66 SM, fût long
730 081	étrier à courroie, std., mag., avant
730 220	vis Allen à 6 pans, std.
730 221	vis Allen à 6 pans, std., fût long
730 222	vis Allen à 6 pans, std./fût long
730 223	vis Allen à 6 pans, fût long, mag./grande chasse
730 224	vis Allen à 6 pans, mag./grande chasse
730 225	vis Allen à 6 pans, mag./grande chasse
730 226	capot plastique pour vis
730 228	douille
730 230	capot caoutchouc, mag./grande chasse
730 232	capot caoutchouc, std./fût long
730 244	goupille cylindrique
730 248	crosse 66 S, std.
730 252	crosse 66 S, mag.
730 253	crosse 66 S, grande chasse
730 258	plaquette, grande chasse
730 259	douille
730 261	tube d'espacement avant, std./fût long

- 730 262 tube d'espacement pour pied de hausse, mag./grande chasse
- 730 263 tube d'espacement avant, mag./grande chasse
- 730 264 tube d'espacement arrière, mag./grande chasse
- 730 265 tube d'espacement arrière std./fût long
- 730 266 tube d'espacement pour pied de hausse, std./fût long
- 730 273 buselure
- 730 275 étrier à courroie, compl., arrière std./fût long/magnum
- 730 276 étrier à courroie, compl., avant, fût long et ancienne version std./mag./grande chasse
- 730 277 vis Allen à 6 pans, SM, std.
- 730 282 vis d'étrier à courroie
- 730 284 étrier à courroie, compl., arrière grande chasse
- 730 285 étrier à courroie, compl., avant grande chasse
- 730 291 rail de guidage, mag./grande chasse
- 730 292 rail de guidage, std./fût long/ultra
- 730 296 support de verrou
- 730 298 semelle de détente
- 730 300 crosse 66 S, fût long
- 730 301 vis Allen à 6 pans
- 730 302 vis cylindrique
- 730 305 vis cylindrique à tête fraisée
- 730 306 vis à tête fraisée avec embout
- 730 307 vis pour semelle de détente
- 730 308 vis à tête fraisée avec embout
- 730 310 vis d'arrêt
- 730 312 capot à bille
- 730 313 assiette à ressort
- 730 316 ressort d'alimentateur, std./fût long
- 730 319 ressort à vis pour support de verrou
- 730 321 ressort à vis
- 730 322 ressort d'alimentateur, mag./grande chasse
- 730 323 ressort à percuteur, mag./grande chasse
- 730 324 ressort à percuteur, std./fût long
- 730 325 ressort à vis pour semelle de détente
- 730 329 alimentateur, std./fût long
- 730 330 alimentateur, mag./grande chasse
- 730 334 chargeur, mag./grande chasse
- 730 335 chargeur, std./fût long
- 730 347 simple détente, mag./grande chasse
- 730 349 vis de réglage
- 730 350 vis d'arrêt
- 730 351 arbre mag./grande chasse
- 730 352 arbre std./fût long
- 730 354 pièce de pression, std./fût long
- 730 356 pièce de pression, mag./grande chasse
- 730 359 simple détente, std./fût long

- 730 366 étrier de détente, double détente, std./fût long
- 730 367 étrier de détente, simple détente, mag./grande chasse
- 730 368 étrier de détente, simple détente, std./fût long
- 730 369 étrier de détente, double détente, mag./grande chasse
- 730 372 double détente
- 730 374 détente, std./mag./grande chasse
- 730 376 ressort à double détente
- 730 378 ressort vers la détente
- 730 563 protecteur de mire, ancienne version, grande chasse
- 730 564 protecteur de mire
- 730 566 base pour pied de mire
- 730 571 goupille cylindrique
- 730 572 vis pour pied de mire
- 730 573 anneau d'étrier à courroie, fût long
- 730 575 visée compl.
- 730 576 pied de mire
- 730 591 mire 5,5 mm
- 730 592 mire 6,0 mm
- 730 593 mire 7,0 mm
- 730 595 mire 8,0 mm
- 730 596 mire 8,5 mm
- 730 622 chevalet à coussinet, std.
- 730 624 chevalet à coussinet, mag.
- 730 625 chevalet à coussinet, std.
- 730 749 culasse compl.**, 13,1
- 730 750 culasse compl.**, 12,65
- 730 751 culasse compl.**, 13,58
- 730 752 culasse compl.**, 12,2
- 730 768 culasse*, 13,58
- 730 769 culasse*, 13,10
- 730 771 culasse*, 12,65
- 730 773 culasse*, 12,2
- 730 827 guidage télescopique, std.
- 730 828 guidage télescopique, mag./grande chasse
- 730 829 guidage télescopique, std./pour gravure
- 730 830 guidage télescopique, mag./grande chasse pour gravure
- 730 831 percuteur, std./fût long
- 730 832 percuteur, mag./grande chasse
- 730 835 écrou de percuteur
- 730 839 douille
- 730 840 petit verrou
- 730 845 changement: nouvelle sûreté, std.
- 730 848 axe de sûreté
- 730 850 verrou de sûreté
- 730 859 vis pour verrou de sûreté
- 730 865 extracteur, mag.

- 730 866 extracteur, mag./grande chasse
- 730 891 changement: de la simple
à la double détente, std./fût long
- 730 892 changement: de la double à la simple détente
std./fût long
- 730 893 changement: de la simple à la double détente
mag./grande chasse
- 730 894 changement: de la double à la simple détente
mag./grande chasse
- 730 895 changement: nouvelle sûreté,
mag./grande chasse
- 730 910 détente à bossette, mag./grande chasse
- 730 921 détente à bossette, std./fût long
- 730 922 sabot de détente
- 730 984 partie supérieure de la détente,
mag./grand chasse
- 730 989 partie supérieure de la détente, std.
- 731 080 vis cylindrique
- 731 118 vis d'arrêt-double détente, 66 SM
- 731 143 vis cylindrique
- 731 757 pied de mire, battue
- 731 759 base pour guidon lumineux
- 731 763 bande, battue
- 731 765 protecteur de mire, battue
- 731 803 guidon lumineux
- 735 122 extracteur Ø 12,2
- 735 123 ressort d'extracteur
- 735 124 éjecteur
- 735 125 ressort d'éjecteur
- 735 134 ressort pour l'axe de sûreté
- 735 135 ressort pour verrou de sûreté
- 735 137 butée à culasse
- 735 138 vis pour verrou de sûreté

Règles à observer

Ne pointez jamais l'arme même non chargée sur autrui. Prenez l'habitude de toujours tenir une arme de façon à ne pas mettre en danger hommes, animaux ou objets. Veillez toujours à la présence d'un pare-balles évitant que le projectile ne mette en danger les environs. Rappelez vous qu'un projectile peut atteindre 5000 mètres et qu'il peut être dévié, suivant l'angle d'impact par l'eau ou un objet dur.

Maniement

Avant le tir, contrôlez le canon qui doit être dégraissé de tout objet l'obstruant. Nettoyez le à l'aide d'une baguette plastifiée munie d'un écouvillon en feutre ou crin. Auparavant, retirez la culasse en pressant la détente à fond, sans forcer.

Dégraissez la boîte et la culasse à l'aide d'un chiffon doux et propre.

Il existe deux types de modèle 66:

- a) Modèle 66 S – Standard, Magnum et Grande Chasse
- b) Modèle 66 SM – Standard et Magnum.

La différence concerne le système de détente.

66 S Simple détente, double détente ou détente match. En calibre grande chasse, le modèle 66 S est livré en simple détente. Double détente sur demande.

66 SM Stecher spécial Mauser avec levier de tension sur le col de la crosse permettant un armement silencieux, carabine épaulée, sans bouger la main. Cela apporte une double sécurité pour la chasse à l'approche car ce n'est qu'au moment du tir qu'on introduit le doigt dans le pontet. Pour armer la détente on pousse ce levier vers l'avant, il reprend sa position initiale grâce à un ressort de rappel. Une vis permet de régler la douceur du départ.

En cas de non armement de ce levier, l'arme fonctionne comme une simple détente normale. Il est possible de désarmer le stecher en mettant l'arme en sécurité et en le désarmant par la détente. Enlever la sûreté pour pouvoir ouvrir la culasse.

Caractéristiques techniques du modèle 66 S/66 SM

Le Modèle 66 est équipé d'une hausse réglable verticalement et horizontalement et pouvant être déplacée sur le rail. Tous les modèles sont équipés d'une crosse en noyer, polie huilée, d'une plaque anti-recul. Le modèle 66 S avec bois de rose sur le devant et la poignée. Verrou court avec sûreté silencieuse. Levier coudé et rainuré permettant une manœuvre rapide et sûre. Chargeur de 3 cartouches, plus une dans le canon. Tous les canons sont en alliage spécial anti-rouille.

Les différents modèles sont livrables dans les calibres:

Version standard:

Cal. 5,6 x 57 – .243WIN. – 6,5 x 57 – .270WIN. – 7 x 64; .30-06 – .308Win. – 9,3 x 62 Longueur du canon: 60 cms.

Version Magnum:

Cal. 6,5 x 68 – 7 mm REM. Mag – 8 x 68 S; .300 WIN. Mag. – 9,3 x 64; Longuer du canon: 65 cms.

Version fût long:

Cal. .243WIN. – .270WIN. – 7 x 64; .30-06 – 9,3 x 62 – Longueur du canon: 53 cms.

Version grande chasse:

Cal. .375 HH – .458Win. Mag. Longueur du canon: 65 cms.

Mode d'emploi:

La carabine modèle 66 S/66 SM à culasse télescopique est raccourcie de 9 cms, à longueur de canon identique, par rapport à une carabine classiques, ce qui améliore la maniabilité. Le processus à répétition est simple et identique à celui de toute arme à verrou cylindrique.

Il se fait en deux phases:

1ere phase:

Déverrouillage de la culasse en soulevant et reculant le levier. La pièce télescopique reste dans sa position jusqu'à ce que le levier vienne la toucher.

2me phase:

En reculant davantage la culasse, la pièce télescopique est à son tour entraînée dans le rail de guidage. De ce fait, la jonction entre culasse et rail de guidage est maintenue. Pièce télescopique et culasse sont bloquées, et peuvent saisir la cartouche du chargeur. En refermant, la culasse avance seule et pousse la cartouche dans le canon. En continuant le mouvement, la pièce télescopique est entraînée dans sa position initiale. En baissant le levier, la culasse est verrouillée et la carabine armée. La mise en sûreté bloque alors l'ouverture. L'ailette située sur le cran de sûreté empêche une mise hors sûreté inopinée.

Chargement

Pour charger la carabine, ouvrir la culasse, placer la cartouche dans le rail de guidage, la pousser dans le chargeur – capacité : 3 cartouches. (Figure 1)



En repoussant la culasse vers l'avant la première cartouche est introduite dans la chambre. Verrouiller la culasse à l'aide du levier d'armement, la carabine est prête au tir. En ouvrant la culasse, la douille tirée est éjectée, en refermant, la cartouche suivante est introduit.

Modèle 66 S

Pour armer la double détente, tirer la deuxième détente vers l'arrière. Pour la désarmer, mettre l'arme en

sécurité. Tirer la deuxième détente, appuyer sur la première et laisser revenir en même temps les deux détenteurs en avant.

Modèle 66 SM

Pour armer le stecher, pousser le levier situé sur le col de la crosse vers l'avant et le laisser revenir à sa position initiale. Pour le désarmer, mettre l'arme en sécurité, pousser le levier vers l'avant, le maintenir dans cette position en appuyant sur la détente, relacher le levier et la détente.

Mise en sécurité

Pour mettre en sécurité la carabine armée, mettre à l'arrière le poussoir rotatif. La culasse et le percuteur sont bloqués, en même temps l'ailette située sur le poussoir empêche une mise hors sécurité inopinée. Le déchargement de la carabine n'est possible que lorsque l'arme est hors sécurité.

Démontage du verrou

Pour retirer la culasse, pousser vers le bas le support de verrou (Figure 2)

Pour dévisser le petit verrou, saisir le guidage télescopique de la main gauche, le petit verrou de la main droite et le tourner d'environ 90° vers la droite. (Figure 3)

Pour continuer placer l'arête de l'écrou de percuteur contre une arête fixe et pousser vers l'arrière d'environ 2 mm, actionner l'ailette de sûreté. (Figure 4)

En continuant de tourner, le petit verrou avec le percuteur peut être dévissé. (Figure 5)

Pour démonter le dispositif de percussion, placer la pointe du percuteur sur une assise dure. Pousser le petit verrou vers le ressort, tourner l'écrou de 90° et déverrouiller.

Le remontage s'effectue dans l'ordre inverse. (Figure 6)

Attention: Le ressort tendu peut vous blesser





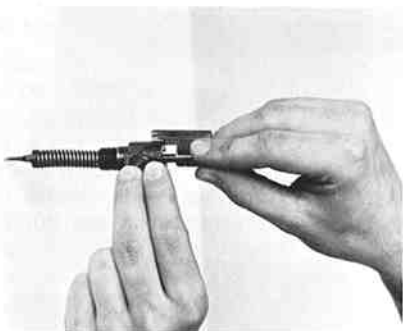
3



4



5



6